

Fluid-o-Tech magnetic drive rotary vane pumps TM series



The Fluid-o-Tech magnetic drive rotary vane pumps combine the established range of pumps with the added advantage of an indirect magnetic coupling:

- longer service life
- no mechanical seals
- totally sealed body
- low maintenance
- less power consumption
- smooth transmission

The principle of the magnetic drive comprises an inner magnet embodied in the pump

and connected to the rotor, and an outer magnet connected to the motor shaft. The pole-to-pole alignment of the two magnets provides the driving motion to the pump. Decoupling occurs when the pump load exceeds the coupling torque between the magnets. The introduction of a new driving magnet with improved torque (available upon request) brings the maximum operating pressure to the same values of the PO series with direct coupling.

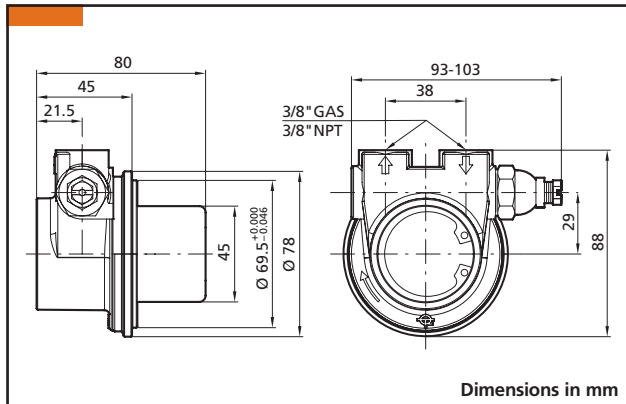
The Rotoflow TM Series magnetic drive rotary vane pumps are housed in stainless steel AISI 303 or brass housing, with carbon graphite internal components.

Available upon request:

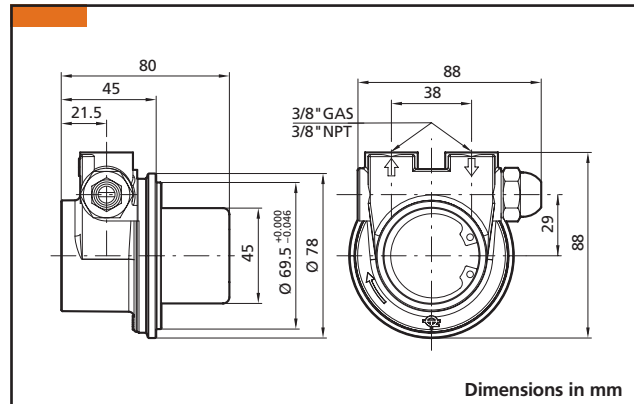
- 3/8" GAS or NPT threaded ports
- standard or balanced relief valve
- NBR, EPDM or Viton seals
- NSF listed pumps for potable water (TM...A series)



- Max system pressure: 18 Bar (260 psi)
- Max temperature: 70 °C (158 °F)



Pump with balanced by-pass valve overall dimensions



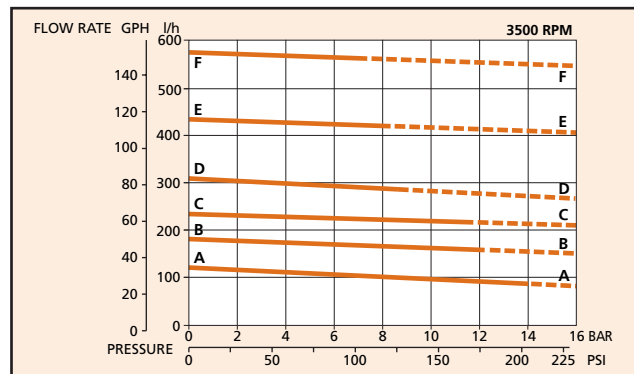
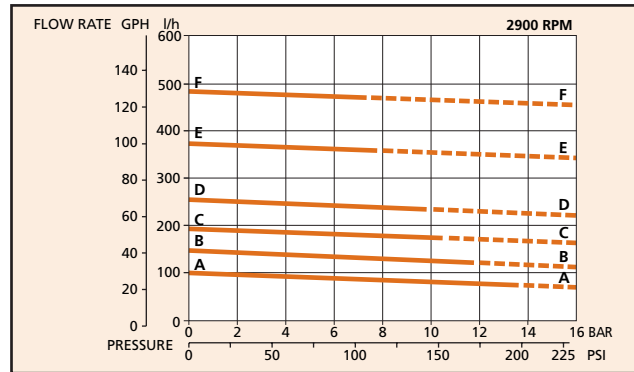
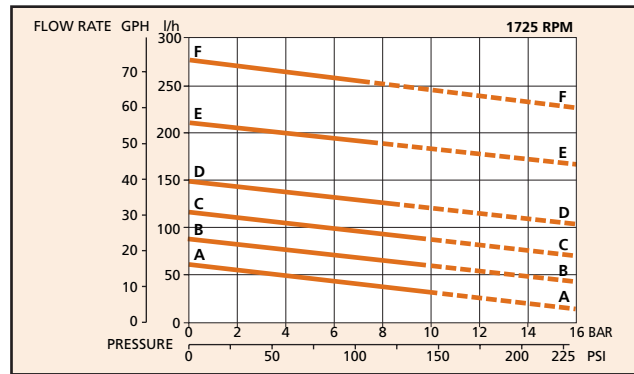
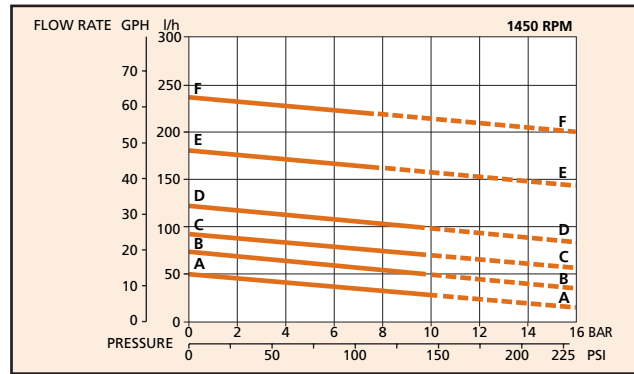
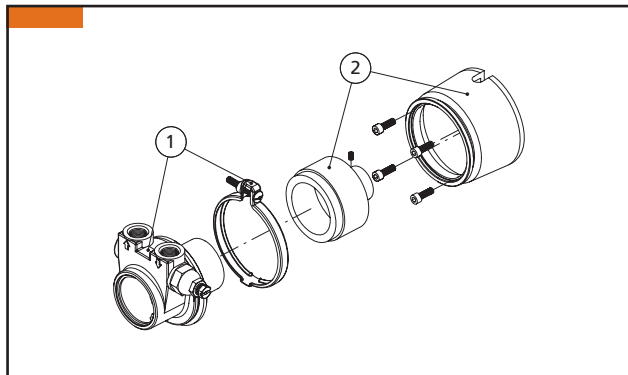
Pump with standard by-pass valve overall dimensions

Fluid-o-Tech magnetic drive rotary vane pumps TM series

Model	By-Pass	Housing	Figure
TMSS030	NO	STAINLESS STEEL	A-A
TMSS050			B-B
TMSS070			C-C
TMSS100			D-D
TMSS150			E-E
TMSS200			F-F
TMSS031	STANDARD	STAINLESS STEEL	A-A
TMSS051			B-B
TMSS071			C-C
TMSS101			D-D
TMSS151			E-E
TMSS201			F-F
TMOT030	NO	BRASS	A-A
TMOT050			B-B
TMOT070			C-C
TMOT100			D-D
TMOT150			E-E
TMOT200			F-F
TMOT031	STANDARD	BRASS	A-A
TMOT051			B-B
TMOT071			C-C
TMOT101			D-D
TMOT151			E-E
TMOT201			F-F
TMOT034	BALANCED	BRASS	A-A
TMOT054			B-B
TMOT074			C-C
TMOT104			D-D
TMOT154			E-E
TMOT204			F-F

Pos.	Description	Code
1	TM series pump	-
2	Standard mounting assembly (M56-B14)	TMBF56S
	High torque mounting assembly (M56-B14)	TMB556C
	Standard mounting assembly (M63-B14)	TMBF63S
	High torque mounting assembly (M63-B14)	TMB563C
	Standard mounting assembly (NEMA 56C)	TMBF5BS
	High torque mounting assembly (NEMA 56C)	TMB55BC

Note: The "C" series driving magnets provide a slot in the internal bore to accept the driving key of motors M56 and M63 frame.



— curves with driving magnets TMAF09S, TMAF11S, TMAF5BS
 - - - curves with driving magnets TMAS09C, TMAS11C, TMAS5BC

Note: Hydraulic characteristics with water at 20 °C and without by-pass - Use filter before pump inlet not larger than 10 microns - Pump weight: 1,1 kg. For applications involving other fluids, high temperatures, unusual processing conditions or speed higher than 2500 rpm consult the factory or an authorized distributor.

Fluid-o-Tech reserves the right to alter the specifications indicated in this catalogue at any time and without prior notice.

TM - 06/06 Ed.

Fluid-o-Tech srl
 Via Morimondo, 23
 20143 Milano - Italy
 Tel. +39 (02) 8917071
 Fax +39 (02) 89170799

Fluid-o-Tech Int'l Inc.
 161 Atwater St.,
 Plantsville CT (USA) 06479
 Tel. +1 (860) 276-9270
 Fax +1 (860) 620-0193

Fluid-o-Tech Int'l Inc. Japan
 203, 2-17-19, Ebara, Shinagawa
 Tokyo 142-0063, Japan
 Tel. +81 (0) (3) 3783-9660
 Fax +81 (0) (3) 3783-9661

Fluid-o-Tech China
 Jingwei Industrial Zone,
 Beifang Huairou, Beijing, 101400, PRC
 Tel. +86 (0) (10) 61684650
 Fax +86 (0) (10) 61684651